

LXD EMERGENCY LIGHTING DOWNLIGHT SINGLE LED



Product Description

The emergency lighting LXD consists of an LED Lamphead with integrated battery, status display LED and an emergency lighting unit to operate the single LED in maintained and non-maintained mode. The safety-compliant downlight emergency lighting is for recessed mounting and ensures emergency escape route and anti-panic lighting in buildings. The integrated self-test function corresponds the European standard.

- Self-contained downlight – emergency luminaire
- Single LED luminaire with integrated battery, status display LED and connected emergency lighting driver
- High-quality aluminium PCB (powder-coated)
- Polycarbonate case for projection class I and II (L 205 x W 37 x H 21.75mm)
- 5 years warranty

Properties

- Non-maintained and maintained mode
- Night light option (R – reverse dimmed maintained mode)
- Monitoring options available
- Different lenses for emergency escape route lighting (elliptical) and anti-panic lighting (rotationally symmetric) and for power-LED protection
- Simple recessed mounting of preinstalled luminaire and driver
- Strain relief
- 1Hr, 3Hr and 8Hr operating time
- Self-test as per IEC 62034
- Status display LED
- SELV (safety extra low voltage)
- Constant power output in emergency mode
- Adapted charge condition for NiMH or LiFePO₄ batteries
- Deep discharge protection
- 30% higher expected NiMH battery life duration by micro-processor controlled cycling charge.

Technical Specifications

| | |
|--|---|
| Mains voltage range | 220V - 240Vac |
| Mains frequency | 50 / 60Hz |
| Power consumption / power input standby | Max. 2.4W / 3VA |
| Power output in emergency mode | 3W |
| Power consumption / power input standby | Max 5W / 7VA |
| Switchover time mains – emergency | <0.5s |
| Max. case temperature <i>t_c</i> | 65°C |
| Ambient temperature range <i>t_a</i> | 5°C to + 50°C |
| Functionality test | Weekly 2 min (random – see datasheet self-test) |
| Duration test | annually |
| Battery charging time | 24Hr |
| Protection class | I and II |
| Protection type | IP20 |
| Weight | 110g + battery |
| Dimensions Y-case | L 205 x W 37 x H 21.75mm |
| Diameter lamphead | 48mm |
| LED light efficiency | 120 lm – 140 lm |
| LED colour | 5300K – 6000K |

Batteries

- LiFePO₄ (18650 Cells)
- Charging time to achieve rated duration 24Hr
- 1 year warranty LiFePO₄
- Battery regeneration for capacity optimisation

Certification mark

- CENELEC certificate (pending)
- CE



Safety

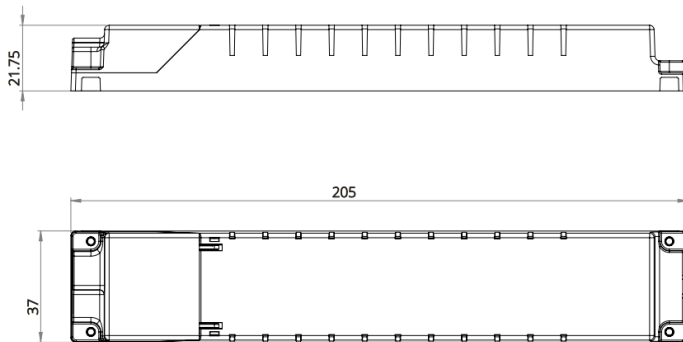
- Protection class I and II
- Protection type IP20

Standards

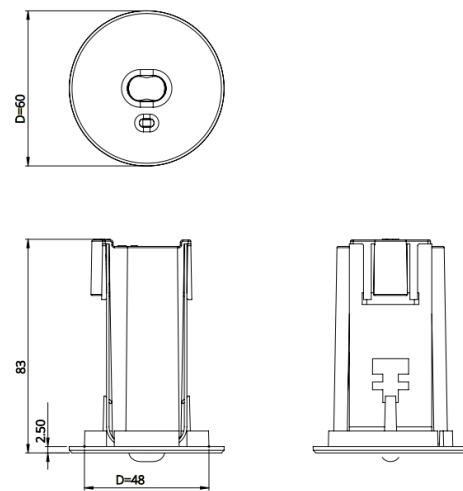
Designed to enable the manufacture of emergency lighting luminaires conforming with EN60598-2-22.

- EN 61347-1
- EN 61347-2-7
- EN 61347-2-13

Y-Case



Single-LED



Technical Data

| Module reference | Emergency duration | Power output in emergency mode* | Light output in emergency mode (assumption: LED-Efficiency = 100 lm/W) | Battery * | Battery Part No |
|--------------------------|--------------------|---------------------------------|---|--|-----------------|
| Type BASIC | | | | | |
| LXD-1-3-O-NM | 3Hr | 3W | 75lm | LiFePO ₄ 1865 3.2V 1.5Ah 1 Cell Stick | 14-12-0001 |
| LXD-1-3-C-NM | 3Hr | 3W | 75lm | LiFePO ₄ 1865 3.2V 1.5Ah 1 Cell Stick | 14-12-0001 |
| LXD-1-1-O-NM | 1Hr | 3W | 75lm | LiFePO ₄ 1865 3.2V 1.5Ah 1 Cell Stick | 14-12-0001 |
| LXD-1-1-C-NM | 1Hr | 3W | 75lm | LiFePO ₄ 1865 3.2V 1.5Ah 1 Cell Stick | 14-12-0001 |
| LXD-2-3-O-NM | 3Hr | 3W | 150lm | LiFePO ₄ 1865 3.2V 3.0Ah 2 Cell Pack | 14-12-0003 |
| LXD-2-3-C-NM | 3Hr | 3W | 150lm | LiFePO ₄ 1865 3.2V 3.0Ah 2 Cell Pack | 14-12-0003 |
| LXD-2-3-O-M | 3Hr | 3W | 150lm | LiFePO ₄ 1865 3.2V 3.0Ah 2 Cell Pack | 14-12-0003 |
| LXD-2-3-C-M | 3Hr | 3W | 150lm | LiFePO ₄ 1865 3.2V 3.0Ah 2 Cell Pack | 14-12-0003 |
| Type SELF-TESTING | | | | | |
| LXD-ST-1-3-O-NM | 3Hr | 3W | 150lm | LiFePO ₄ 1865 3.2V 1.5Ah 1 Cell Stick | 14-12-0001 |
| LXD-ST-1-3-C-NM | 3Hr | 3W | 150lm | LiFePO ₄ 1865 3.2V 1.5Ah 1 Cell Stick | 14-12-0001 |
| LXD-ST-1-1-O-NM | 1Hr | 3W | 150lm | LiFePO ₄ 1865 3.2V 1.5Ah 1 Cell Stick | 14-12-0001 |
| LXD-ST-1-1-C-NM | 1Hr | 3W | 150lm | LiFePO ₄ 1865 3.2V 1.5Ah 1 Cell Stick | 14-12-0001 |

| | | | | | |
|------------------------|-----|----|-------|-------------------------------------|------------|
| LXD-ST-2-3-O-NM | 3Hr | 3W | 150lm | LiFePO4 1865 3.2V 3.0Ah 2 Cell Pack | 14-12-0003 |
| LXD-ST-2-3-C-NM | 3Hr | 3W | 150lm | LiFePO4 1865 3.2V 3.0Ah 2 Cell Pack | 14-12-0003 |
| LXD-ST-2-3-O-M | 3Hr | 3W | 150lm | LiFePO4 1865 3.2V 3.0Ah 2 Cell Pack | 14-12-0003 |
| LXD-ST-2-3-C-M | 3Hr | 3W | 150lm | LiFePO4 1865 3.2V 3.0Ah 2 Cell Pack | 14-12-0003 |

Type **SELF-TESTING & DALI ADDRESSABLE**

| | | | | | |
|-------------------------|-----|----|-------|--------------------------------------|------------|
| LXD-DALI-1-3-O-M | 3Hr | 3W | 150lm | LiFePO4 1865 3.2V 1.5Ah 1 Cell Stick | 14-12-0001 |
| LXD-DALI-1-3-C-M | 3Hr | 3W | 150lm | LiFePO4 1865 3.2V 1.5Ah 1 Cell Stick | 14-12-0001 |
| LXD-DALI-1-1-O-M | 1Hr | 3W | 150lm | LiFePO4 1865 3.2V 1.5Ah 1 Cell Stick | 14-12-0001 |
| LXD-DALI-1-1-C-M | 1Hr | 3W | 150lm | LiFePO4 1865 3.2V 1.5Ah 1 Cell Stick | 14-12-0001 |
| LXD-DALI-2-3-O-M | 3Hr | 3W | 150lm | LiFePO4 1865 3.2V 3.0Ah 2 Cell Pack | 14-12-0003 |
| LXD-DALI-2-3-C-M | 3Hr | 3W | 150lm | LiFePO4 1865 3.2V 3.0Ah 2 Cell Pack | 14-12-0003 |

REPLACEMENT HEADS

| | | | | | |
|-------------------|-----|--|--|--------------------------------------|------------|
| LXD-RH-1-C | N/A | | | LiFePO4 1865 3.2V 1.5Ah 1 Cell Stick | 14-12-0001 |
| LXD-RH-1-O | N/A | | | LiFePO4 1865 3.2V 1.5Ah 1 Cell Stick | 14-12-0001 |
| LXD-RH-2-C | N/A | | | LiFePO4 1865 3.2V 3.0Ah 2 Cell Pack | 14-12-0003 |
| LXD-RH-2-O | N/A | | | LiFePO4 1865 3.2V 3.0Ah 2 Cell Pack | 14-12-0003 |

Standard fascia finish is white – Black is also available by adding -BK to the above part numbers
*Variant upon request

Properties

Please note, the maximum voltage which can appear on the LED-array in case of LED-array failure, can reach 60V when using 55V. Compliance must be assured to the requirements of EN60598-1

The LED-array current under maintained mode and when the LED is turned <<on>> should not exceed 2,5A

Self-testing

- Self-test in accordance with EN62034
- Bi-coloured LED
- Status of battery

Visual status indication



LED green: no fault/normal state



LED continuous red: battery fault - either insufficient battery capacity or interrupted connection. The fault indication is reset once the fault is cleared.



LED intermittently flashing red: lamp fault. Please note that the fault is not indicated (or reset) immediately when it occurs (or is cleared), but after the next self-test.



LED off: if the LED is still off after more than 5 minutes of switching on the mains, then the mains or the unit is faulty.